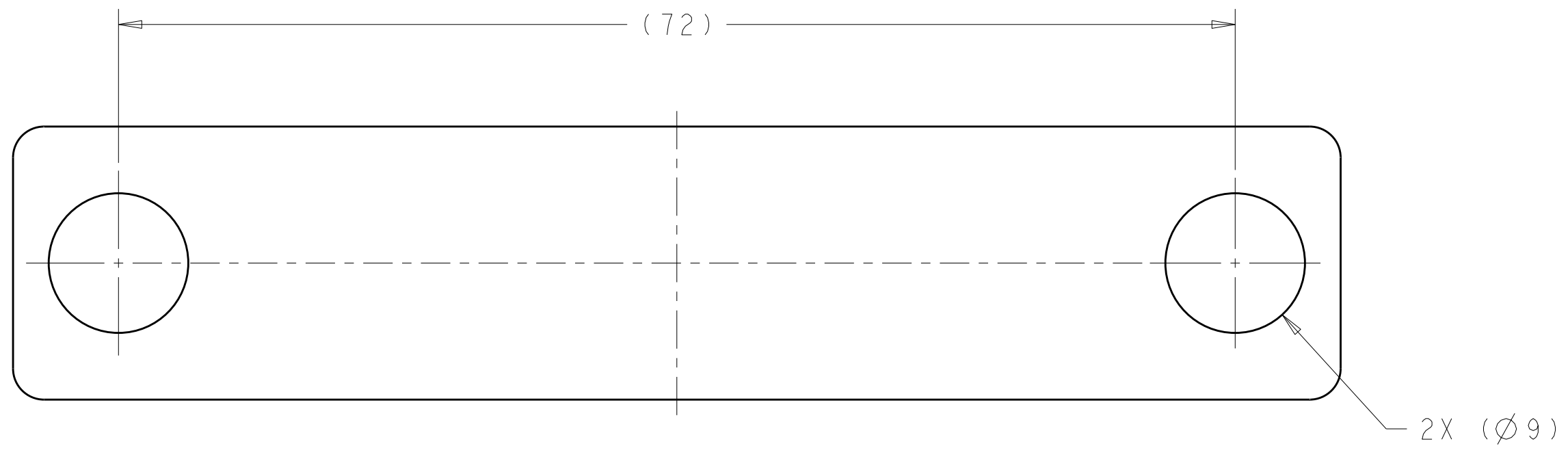
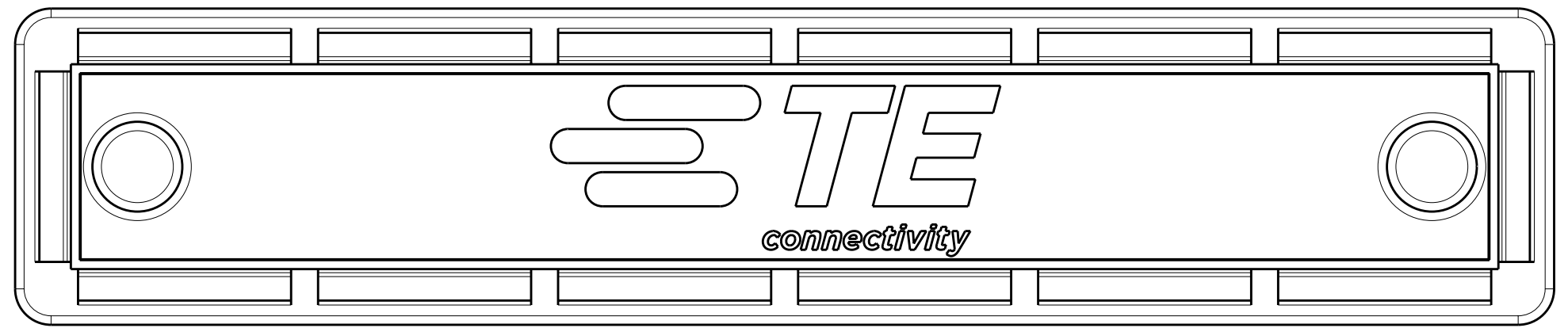
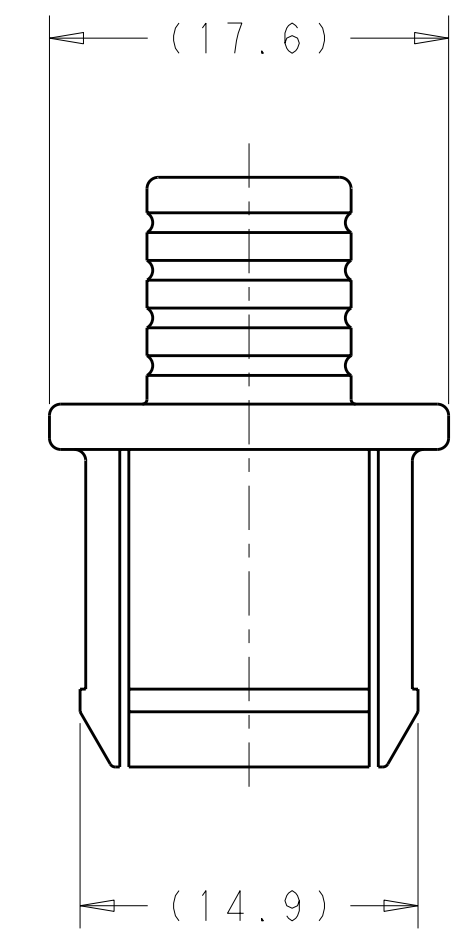
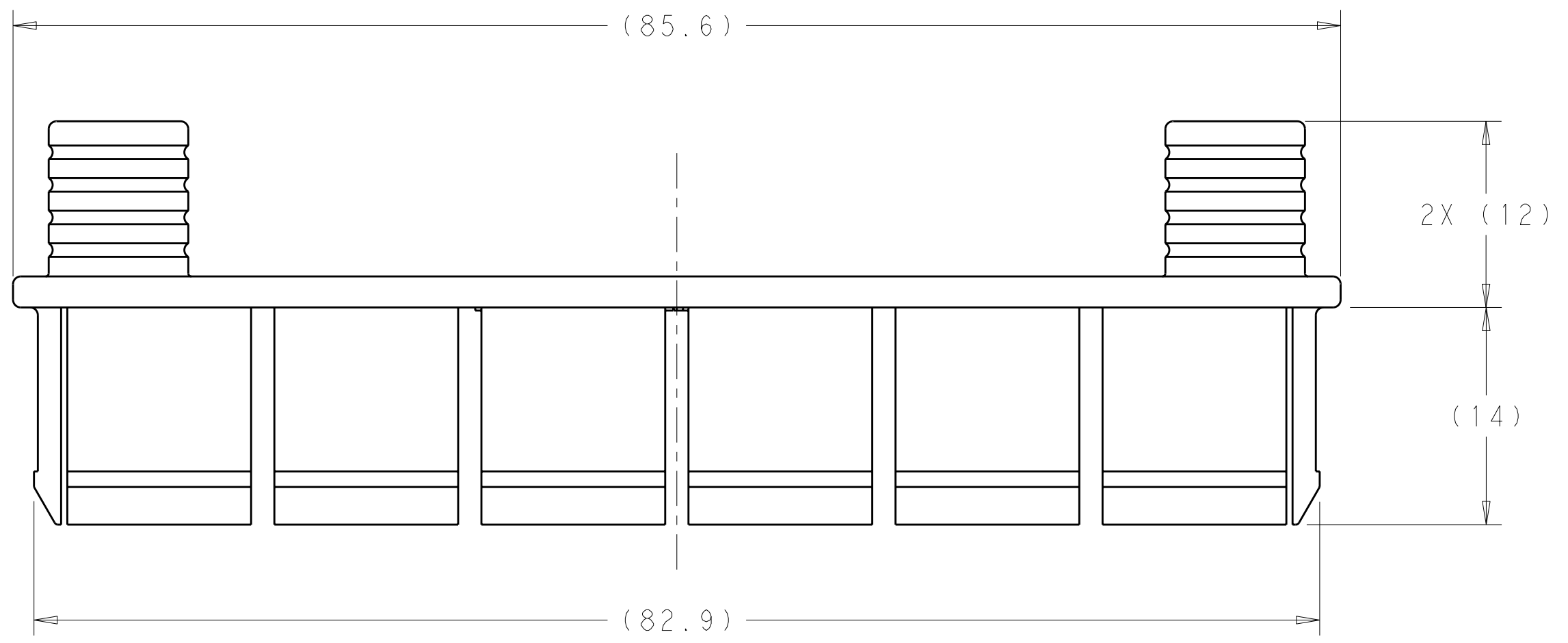
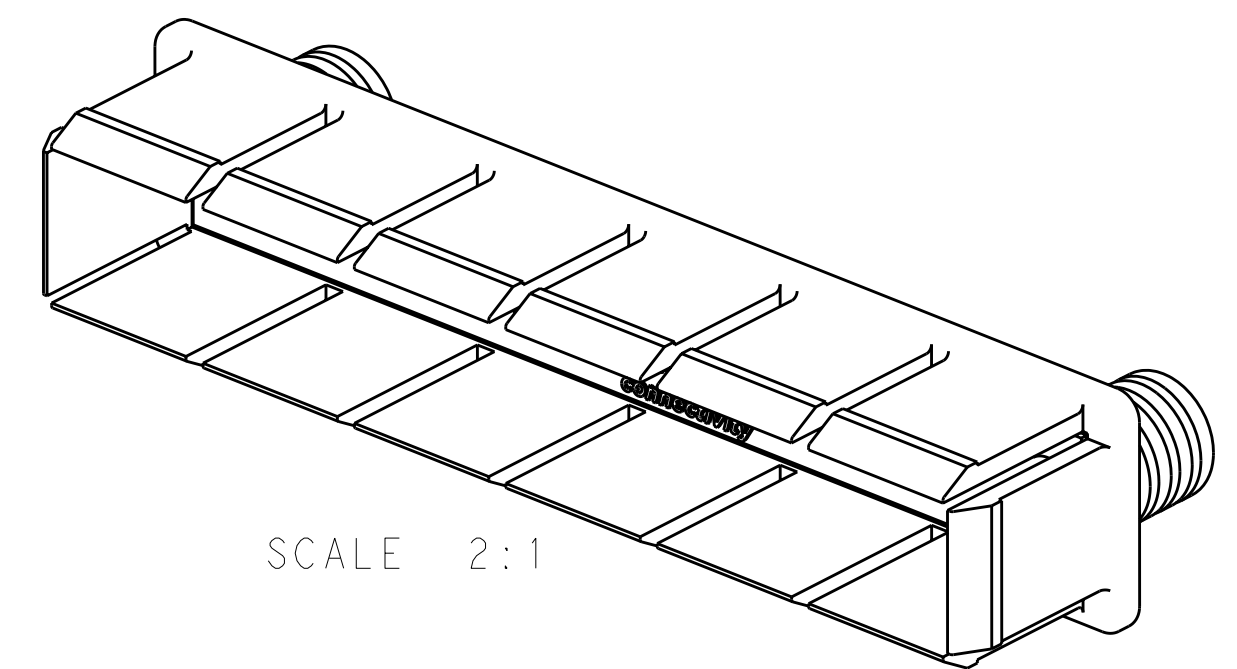


THIS DRAWING IS UNPUBLISHED. RELEASED FOR PUBLICATION 20  
 © COPYRIGHT 20 BY - ALL RIGHTS RESERVED.

LOC	DIST	REVISIONS					
GP	00	P	LTR	DESCRIPTION	DATE	DWN	APVD
		A		RELEASE PER ECO-11-020181	27OCT2011	CJV	MRS



△ PC/ABS WITH CONDUCTIVE FILLER.



2149151-1  
PART NUMBER

THIS DRAWING IS A CONTROLLED DOCUMENT.		DWN M. SHIRK 07JUN2010	TE Connectivity PLUG, EMI, CFP	
DIMENSIONS: mm		CHK D. SZCZESNY 07JUN2010		
TOLERANCES UNLESS OTHERWISE SPECIFIED:		APVD -	NAME	
0 PLC ±-		PRODUCT SPEC	-	
1 PLC ±-		108-2399	-	
2 PLC ±0.10		APPLICATION SPEC	-	
3 PLC ±-		114-13263	SIZE	CAGE CODE
4 PLC ±-		WEIGHT	A200779	C=2149151
ANGLES ±-		CUSTOMER DRAWING	SCALE	SHEET
FINISH ±-			3:1	1 OF 1
MATERIAL			REV	A
△ 1				